



Australian Government

# WATER RATING

## WELS Registration Certificate

### Water Efficiency Labelling and Standards (WELS) scheme

The following product has been registered to the requirements of the WELS Standard (AS/NZS 6400:2016 Water efficiency products – Rating and labelling).

#### Registration details

WELS registration number L06486

Status Registered

Licence number 0001

Expiry date 22/07/2027



#### Water efficiency rating and water consumption

Star rating 4

Full flush 4.5 litres per full flush

Half flush 3.0 litres per half flush

Average flush 3.5 litres per flush

#### Model information

Brand (Brand id) CAROMA

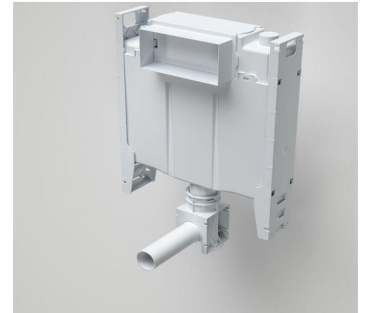
Model name INVISI II (Invisi II Cistern Adjust)

Model code (Model id) 237007

Product type Lavatory

Subtype Lavatory Flushing device only

#### Invisi 2 Cistern Adjust



#### Variants

Model code	Variants	Colour	Other
------------	----------	--------	-------